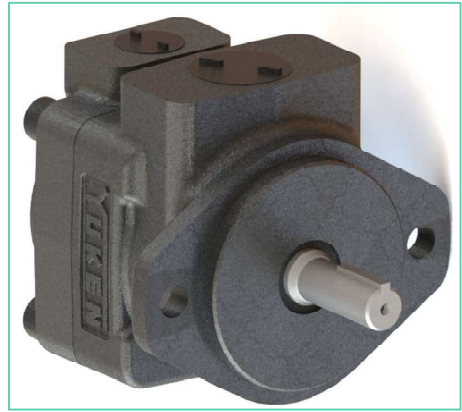
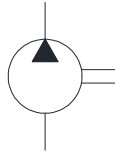


PVR1T Series Single Vane Pumps

These Pumps are widely used as a source of hydraulic power. They combine stable performance and robust construction with a wide range of delivery rates.

Graphic Symbol



Specifications

Model Number	Geometric Displacement cm ³ /rev.	Max. Opr. Pressure Kg/cm ²	Output Flow and Input Power	Shaft Speed Range r/min.		Mass (Approx.) Kg.	
				Max.	Min.	Flange Mounting	Foot Mounting
PVR1T-4	3.5	125	Refer to Page 110 & 111	1800	750	5.8	7.5
PVR1T-6	5.5	210					
PVR1T-8	7.8						
PVR1T-10	8.7						
PVR1T-12	11.5						
PVR1T-15	13.8						
PVR1T-17	16.0					6.2	8.0
PVR1T-31	22.0						

Model Number Designation

F -	PVR1T	- 4	- L	- R	A	A	-21	80
Special Seals **	Series	Nominal Delivery	Mounting	Direction of Rotation	Discharge Port Position	Suction Port Position	Design * Number	Design Standard
As Viewed From Shaft End								
F: For Phosphate Ester Type Fluids (Omit if not required)	PVR1T	4, 6, 8, 10, 12, 15, 17	L: Foot Type F: Flange Type	R: Clock wise (Normal) L: Counter Clockwise			21	80
		31						80H10

* Design numbers subject to change from 20 to 29, but installation dimensions remain as shown.

** For instructions regarding changing the port positions, consult YUKEN INDIA LTD.

** Before ordering the Special Seals, consult YUKEN INDIA LTD.

Cartridge Kit Model Number

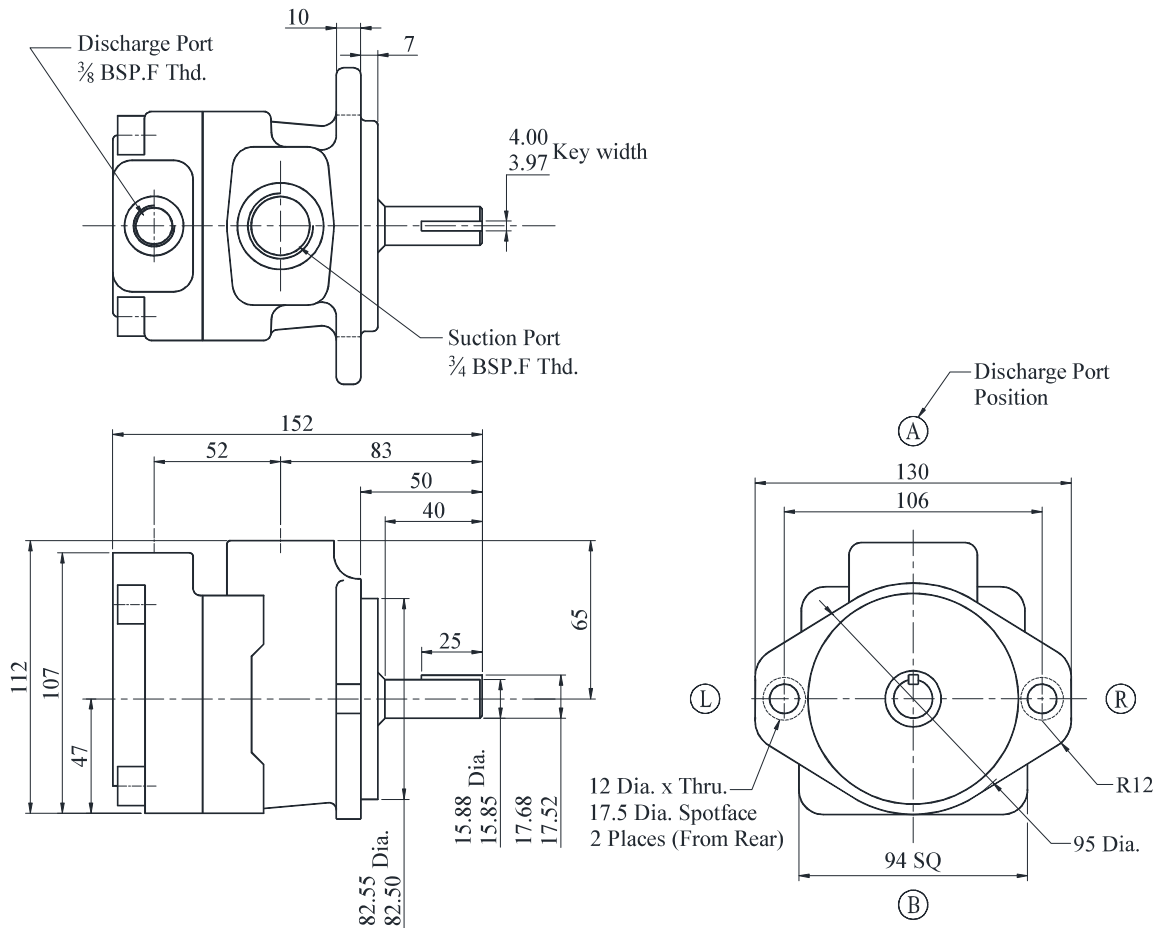
CPVR1T	-4	-R	-20
Model Number	Nominal Delivery	Shaft Rotation	Design No.
CPVR1T	4	R: Clockwise (Normal)	20
	6		
	8		
	10		
	12		
	15	L: Counter-Clockwise	
	17		
31			

* For instructions regarding replacing cartridge kit, consult YUKEN INDIA LTD.

PVR1T-※-F-※※-2180

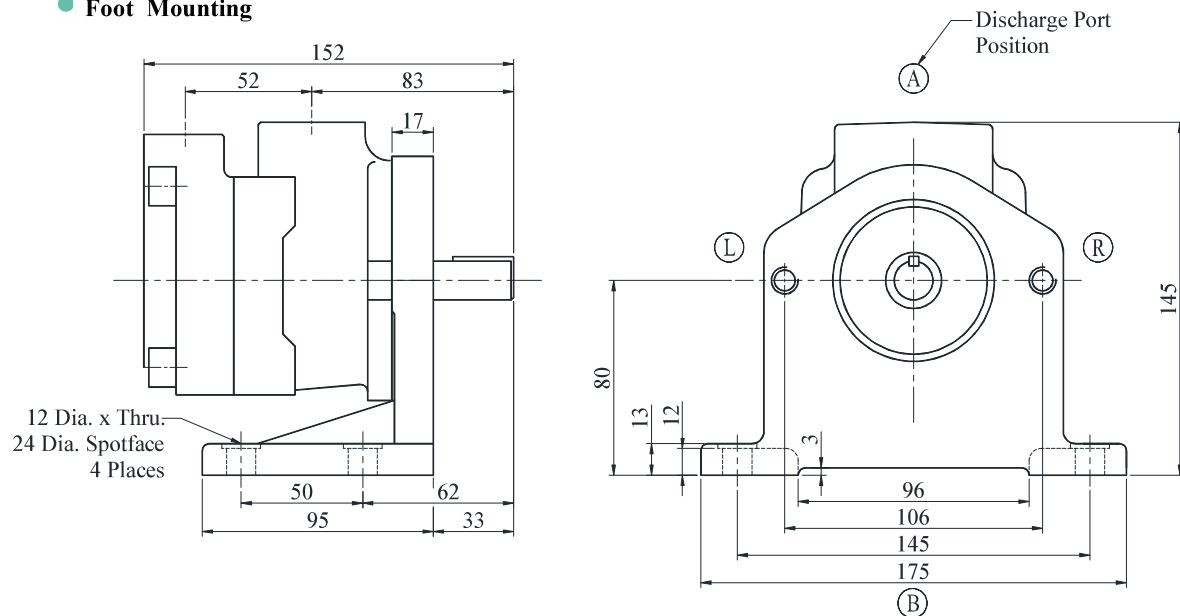
DIMENSIONS IN MILLIMETRES

● Flange Mounting



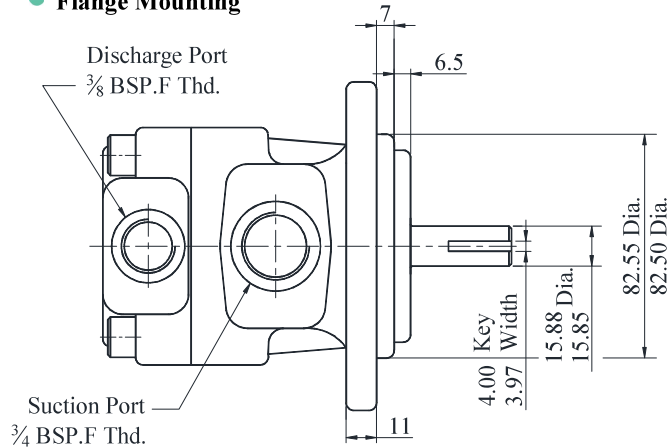
PVR1T-※-L-※※-2180

● Foot Mounting

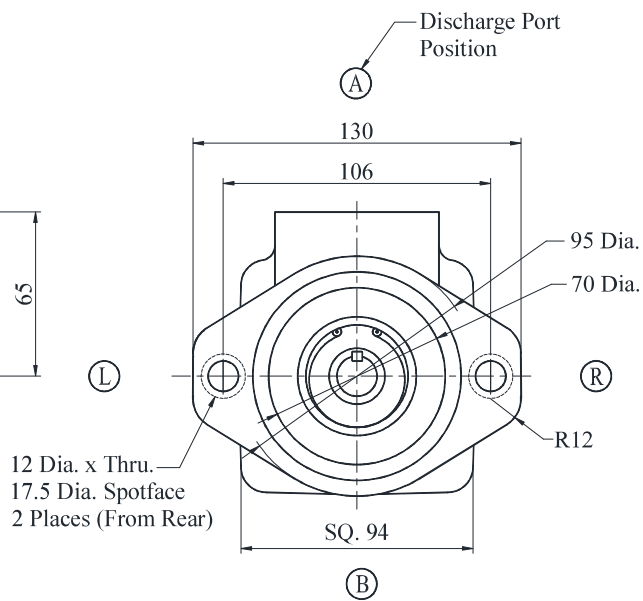
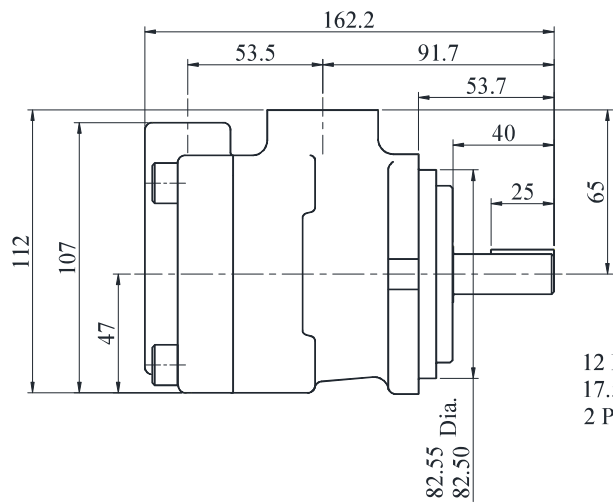


PVR1T-31-F-※※-2180H10

● Flange Mounting

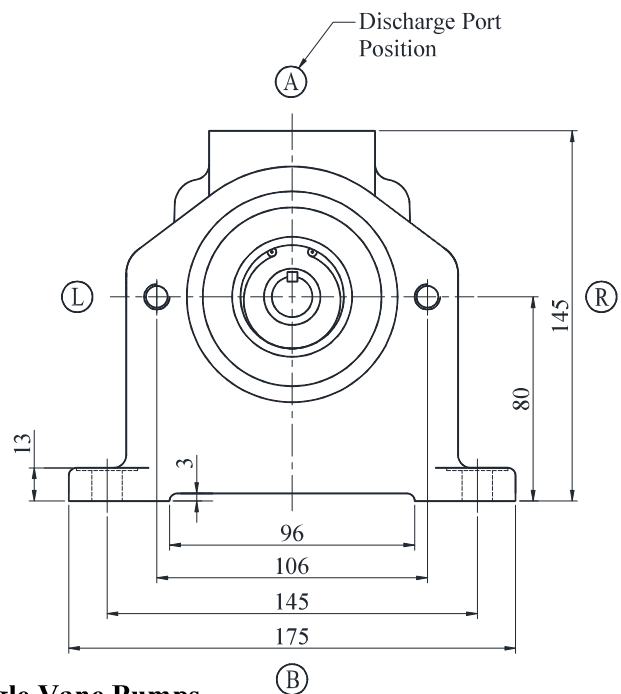
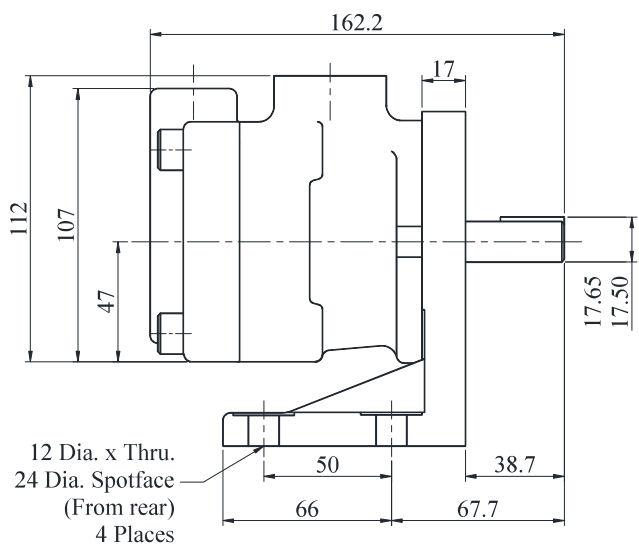


DIMENSIONS IN
MILLIMETRES



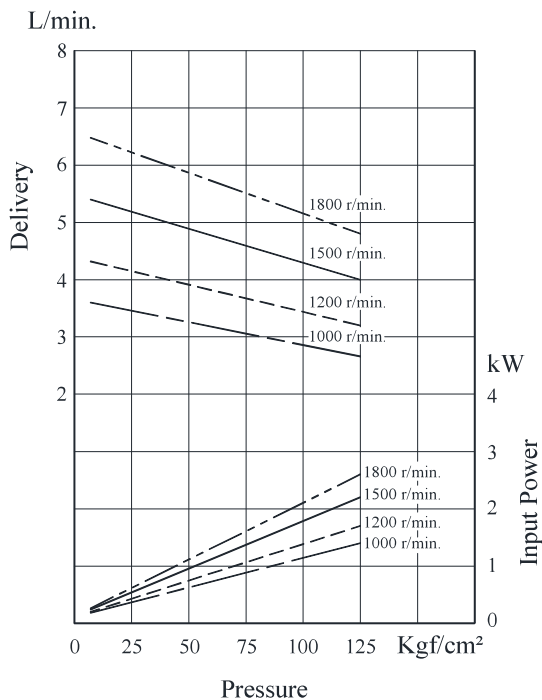
PVR1T-31-L-※※-2180H10

● Foot Mounting

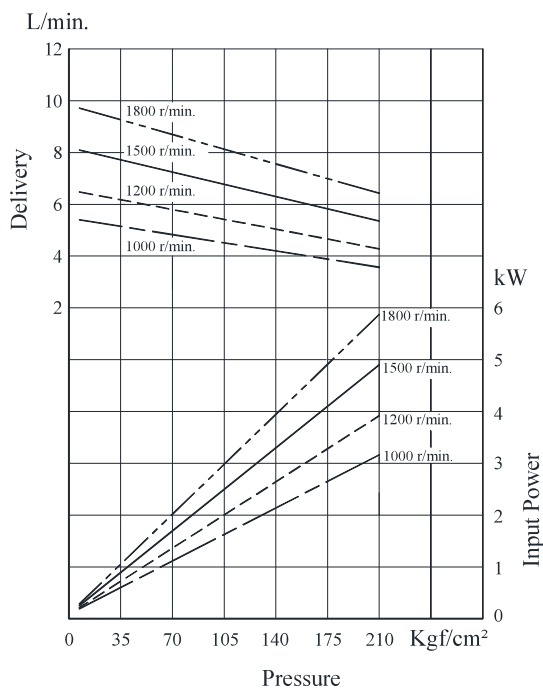


Typical Pump Characteristics Oil Viscosity 20 cSt [ISO VG 32, Temp 50⁰ C]

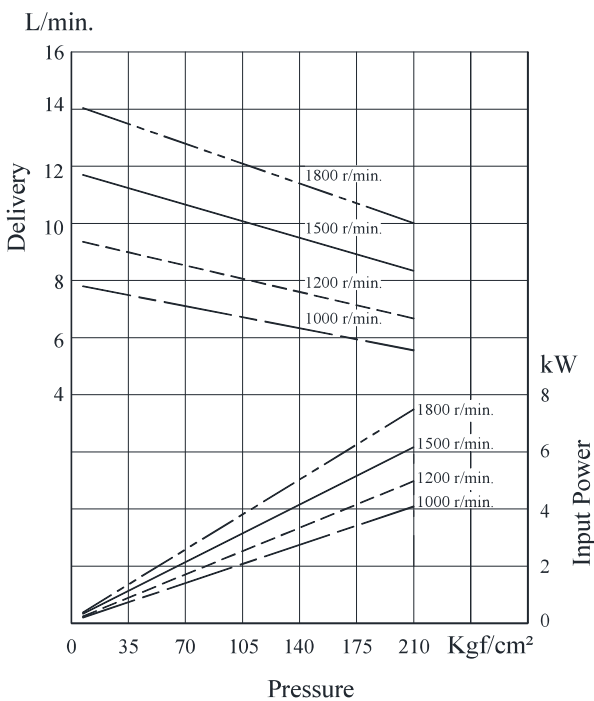
● **PVR1T - 4**



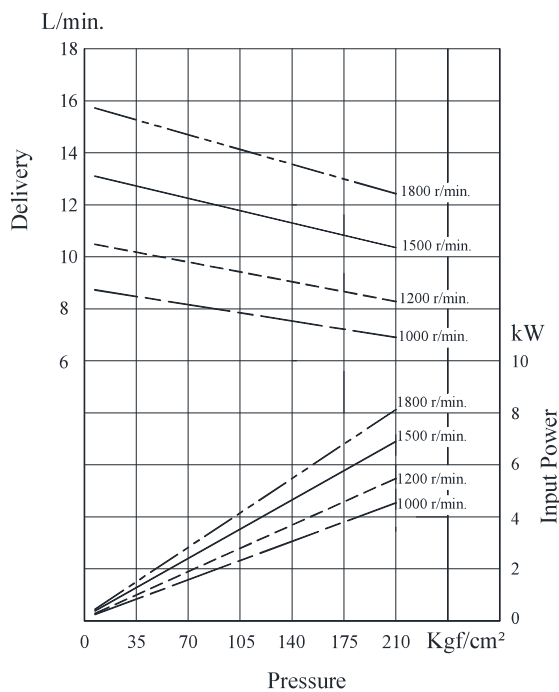
● **PVR1T - 6**



● **PVR1T - 8**

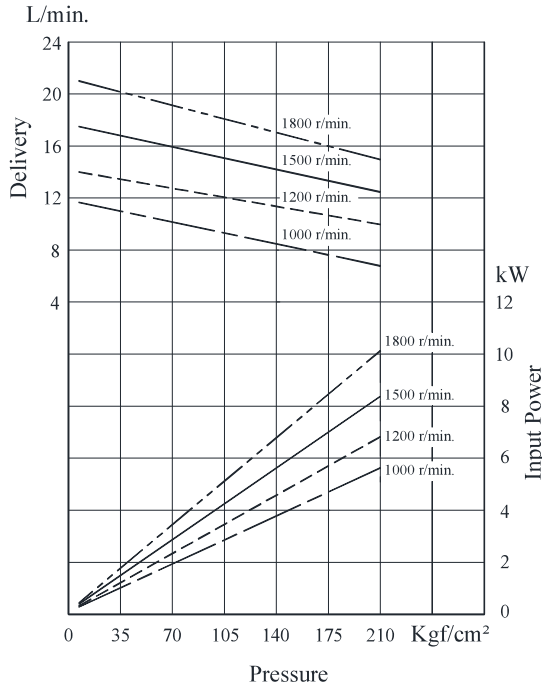


● **PVR1T - 10**

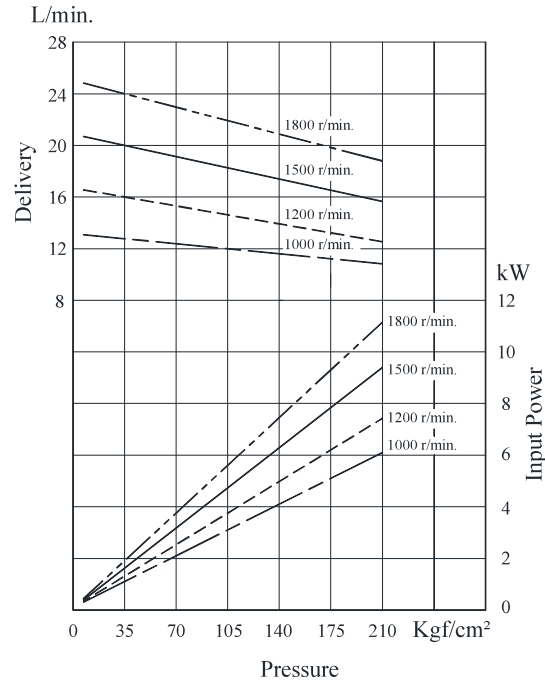


Typical Pump Characteristics Oil Viscosity 20 cSt [ISO VG 32, Temp 50⁰ C]

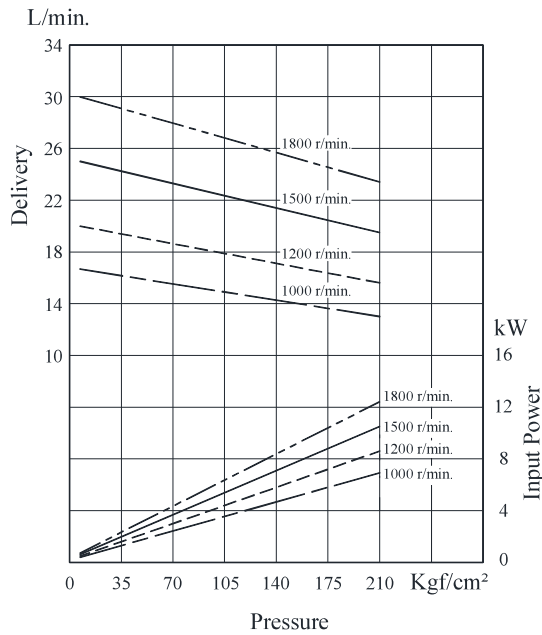
● **PVR1T - 12**



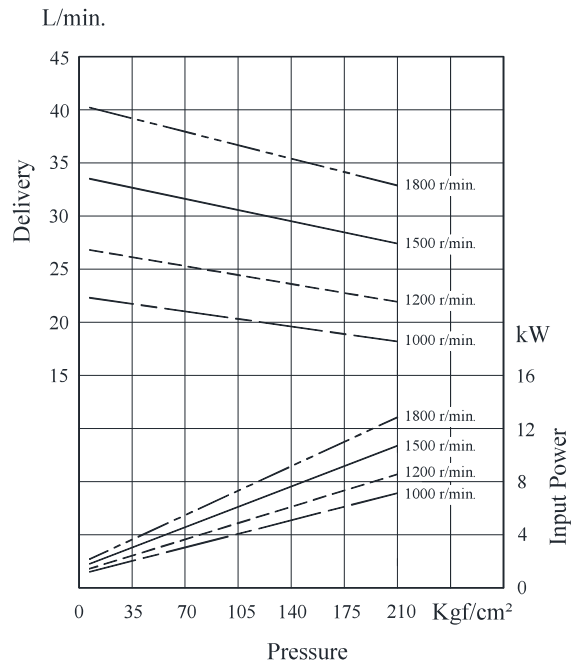
● **PVR1T - 15**



● **PVR1T - 17**



● **PVR1T - 31**



■ **Spare Parts List**

● **List of Seals**

Sl. No.	Name of Parts	Part No.	Qty.
1.	O-Ring	SO-NB-G80	1
2.	O-Ring	SO-NB-G60	1
3.	O-Ring	SO-NB-G35	1
4.	Oil seal	ISD 20307	1

Note : When ordering the seals, please specify the seal kit number KS-PVR1T-2080.

“PVR” Series Single Vane Pumps

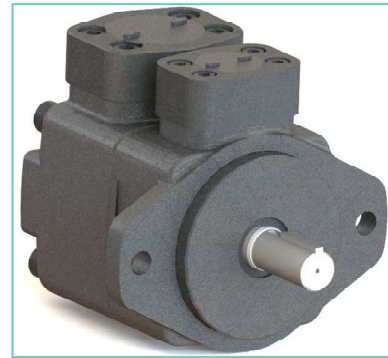
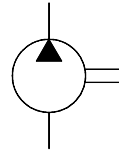
B

PVR Series
Single Vane Pumps

PVR50 Series Single Vane Pumps

These pumps are widely used as a source of hydraulic power. They combine stable Performance and robust construction with a wide range of delivery rates.

Graphic Symbol



Specifications

Model Number	Geometric Displacement cm ³ /rev.	Max. Opr. Pressure Kg/cm ²	Output Flow and Input Power	Shaft Speed Range r/min.		Mass (Approx.) Kg.	
				Max.	Min.	Flange Mounting	Foot Mounting
PVR50-13	10.5	210	Ref. Page 110, 111 & 112	1800	600	12	14.7
PVR50-20	16.0						
PVR50-26	21.5						
PVR50-30	24.0						
PVR50-36	29.5						
PVR50-39	31.5						
PVR50-45	35.5						
PVR50-51	41.0						
PVR50-56	45.0						

Model Number Designation

F-	PVR50	-L	-F	-13	-	-R	A	A	-32	80	
Special Seals **	Series Number	Type of Mounting	Type of Pipe Connection	Nominal Delivery	Shaft Type	Direction of Rotation	Discharge Port Position	Suction Port Position	Design * Number	Design Standard	
						As Viewed From Shaft End					
F: For Phosphate Ester Type Fluids (Omit if not required)	PVR50	L: Foot Type F: Flange Type	F: Flange Connection T: Threaded Connection	13 20 26 30 36 39 45 51 56 *1	None: Std. Shaft. 1: Special Shaft (For 51 & 56 Capacity Only)	R: Clockwise (Normal) L: Counter Clockwise			32	80	

* Design numbers subject to change from 30 to 39, but installation dimensions remain as shown.

* For instructions regarding changing the port positions, consult YUKEN INDIA LTD.

** Before ordering the Special Seals, consult YUKEN INDIA LTD.

*1 Threaded type connection is not available for 56 Capacity.

Cartridge Kit Model Number

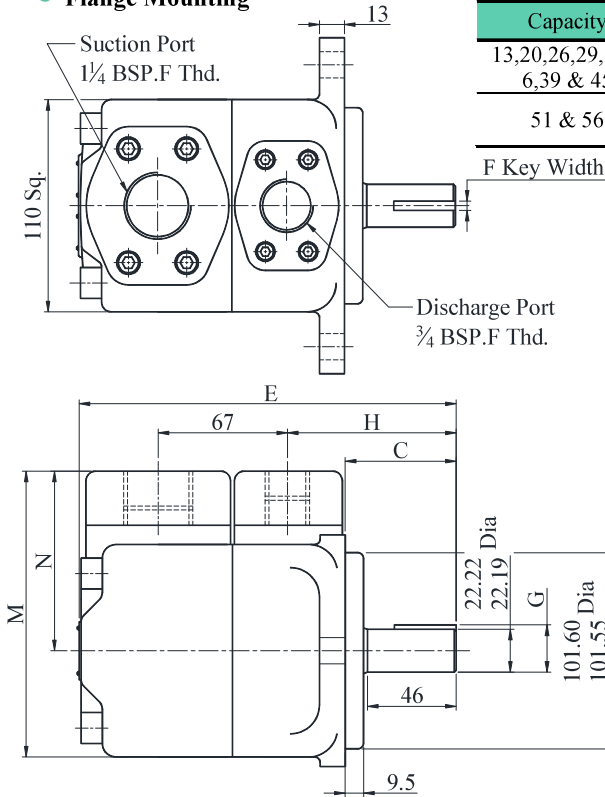
CPVR50	-13	-R	-31
Model Number	Nominal Delivery	Shaft Rotation	Design No.
CPVR50	13	R: Clockwise (Normal)	31
	20		
	26		
	30		
	36	L: Counter-Clockwise	
	39		
	45		
	51		
56			

* For instructions regarding replacing cartridge kit, consult YUKEN INDIA LTD.

“PVR” Series Single Vane Pumps

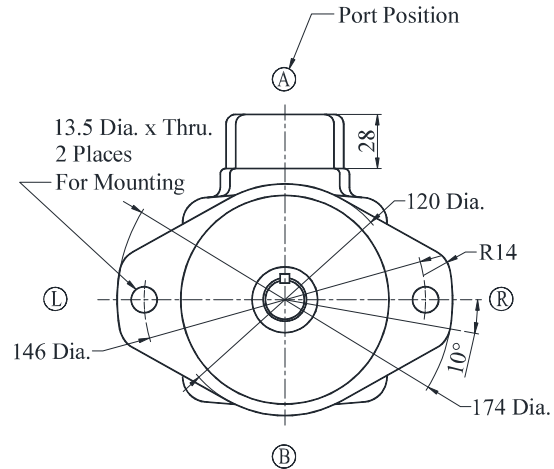
PVR50-F--**-**-3280**

● **Flange Mounting**



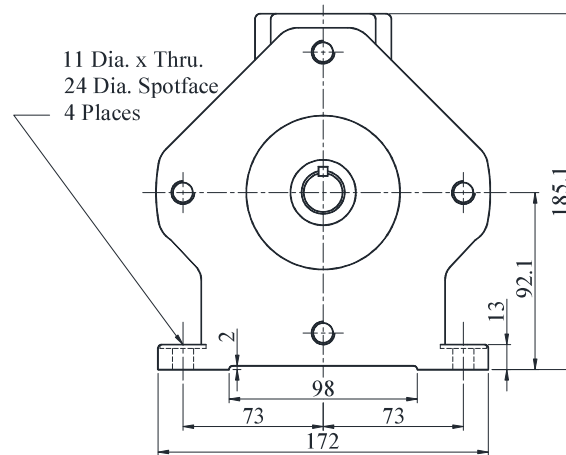
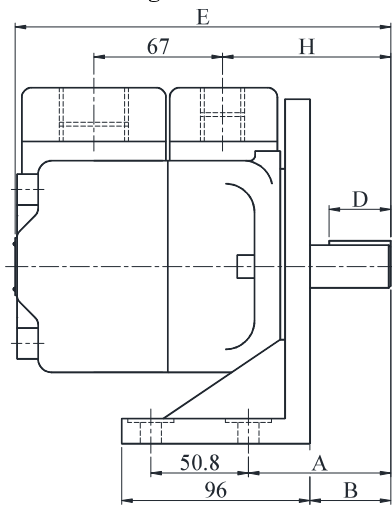
Capacity	A	B	C	D	E	F	G	H
13,20,26,29,30,36,39 & 45	74	42	59	32	197	4.79 4.76	24.500 24.330	87.5
51 & 56	86.4	54.4	71.4	38	209.4	6.38 6.35	24.925 24.774	100

Model	M	N
PVR50-**-F-	148	93
PVR50-**-T-	136	81



PVR50-L--**-**-3280**

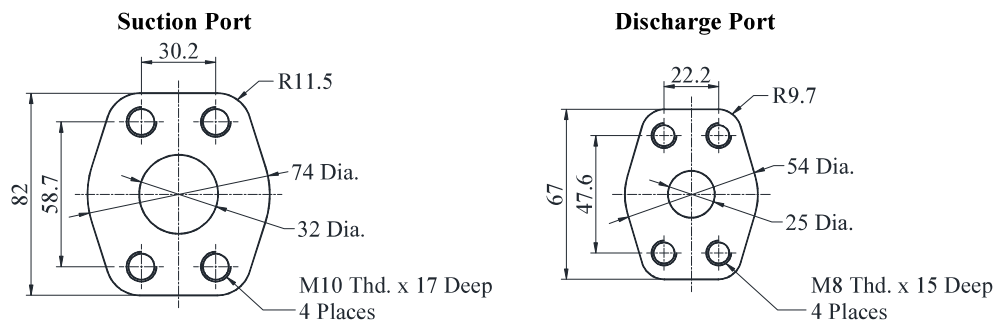
● **Foot Mounting**



DIMENSIONS IN MILLIMETRES

For Other Dimensions see Flange Mounting.

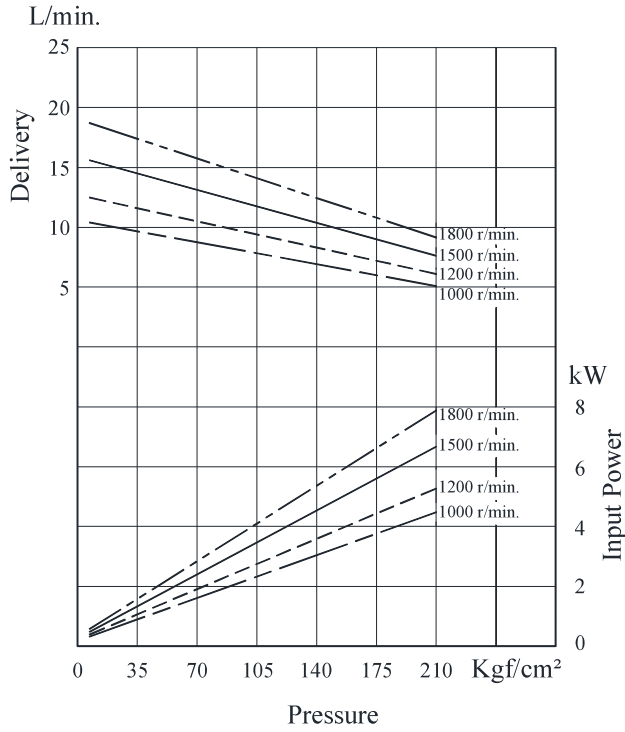
For Reference: Dimensions of Pipe Flange Mounting Surfaces



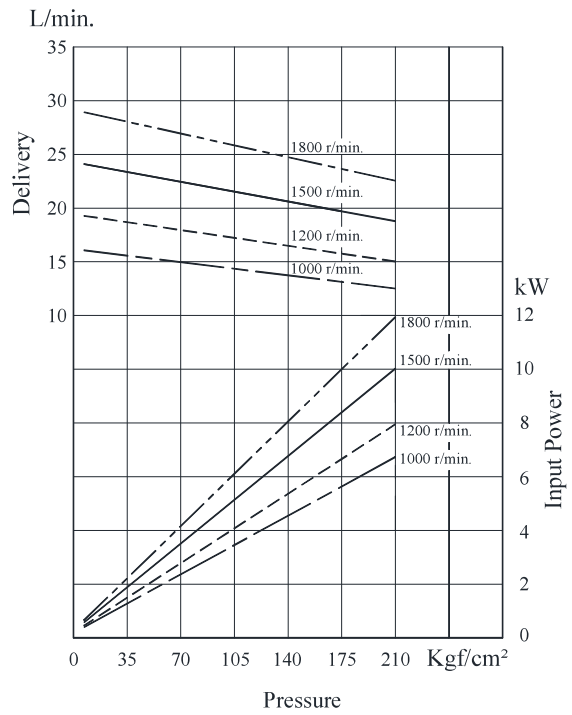
“PVR” Series Single Vane Pumps

Typical Pump Characteristics Oil Viscosity 20 cSt [ISO VG 32, Temp 50°C]

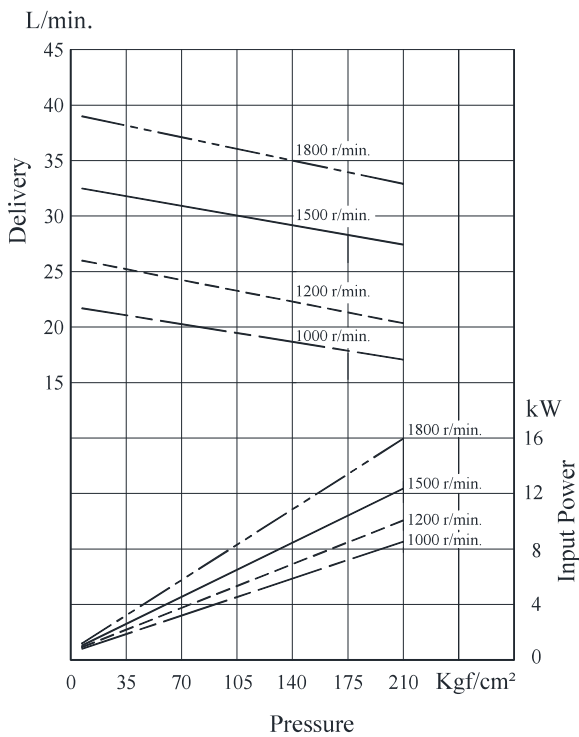
● **PVR50 - 13**



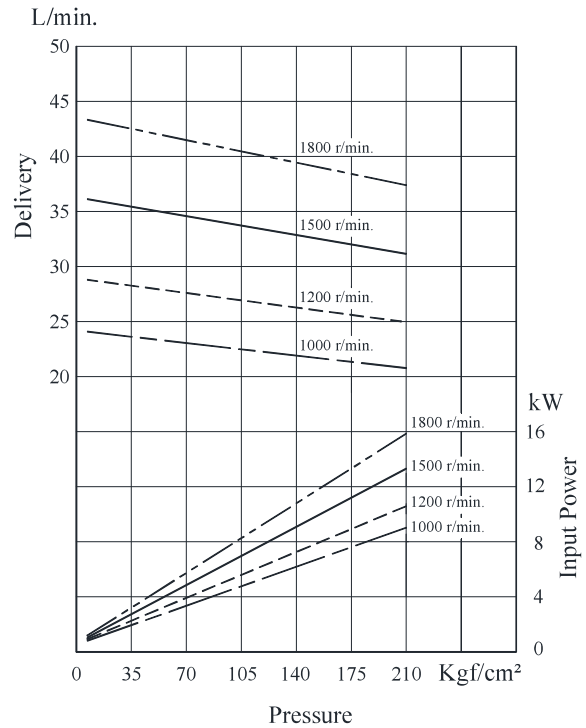
● **PVR50 - 20**



● **PVR50 - 26**

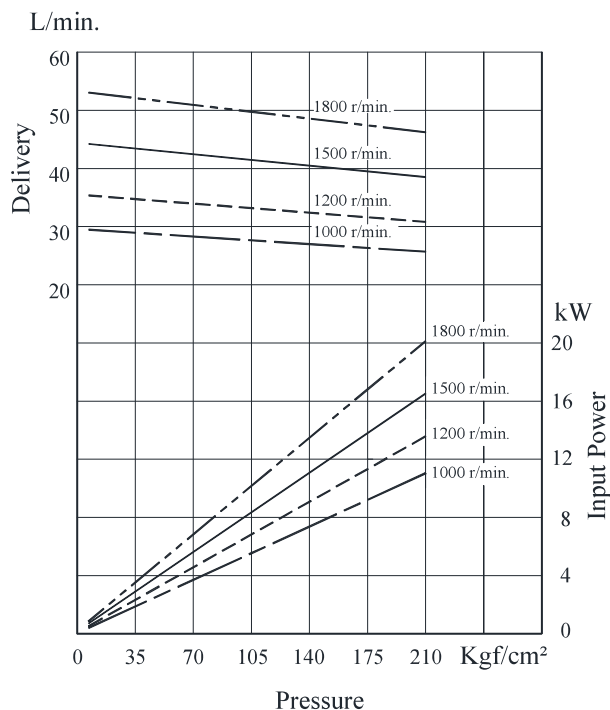


● **PVR50 - 30**

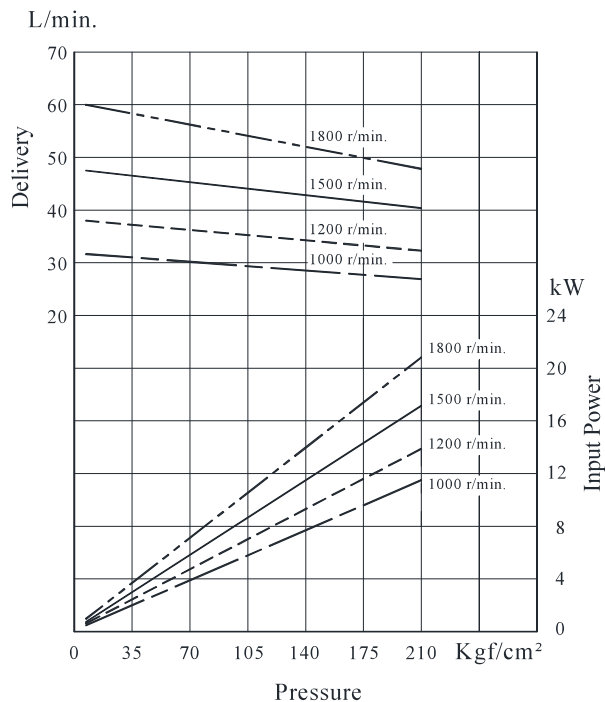


Typical Pump Characteristics Oil Viscosity 20 cSt [ISO VG 32, Temp 50°C]

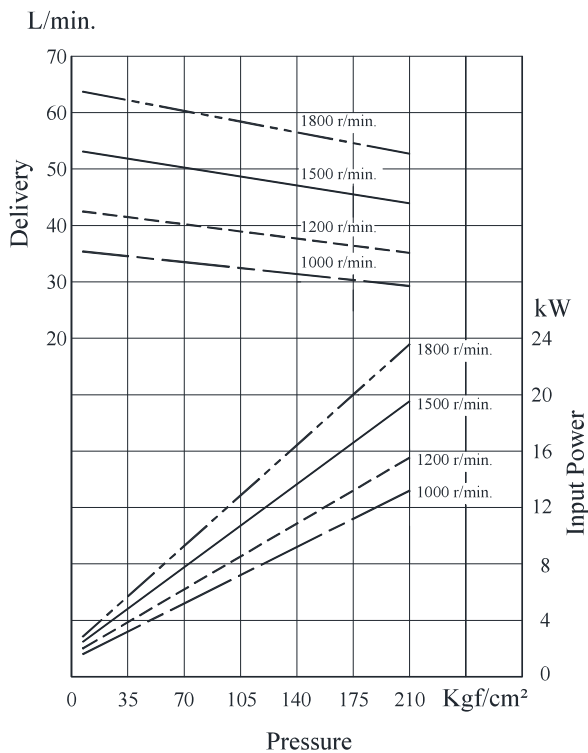
● PVR50 - 36



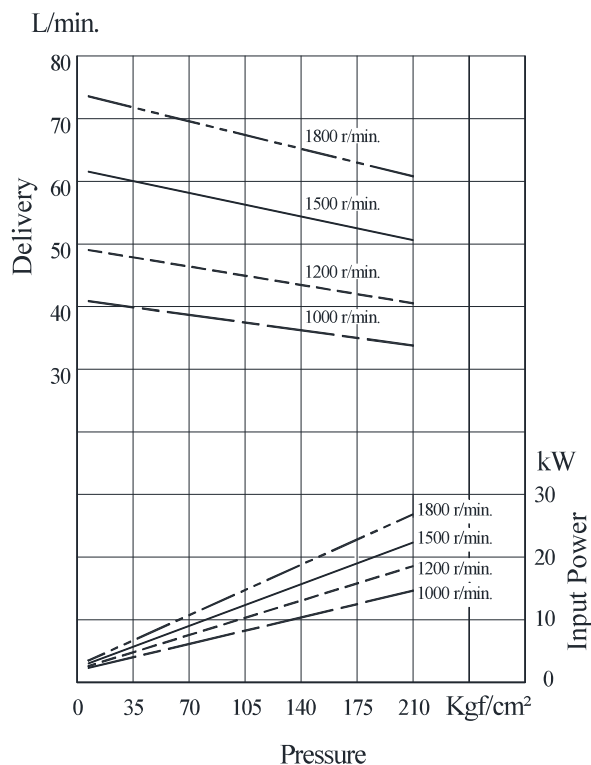
● PVR50 - 39



● PVR50 - 45



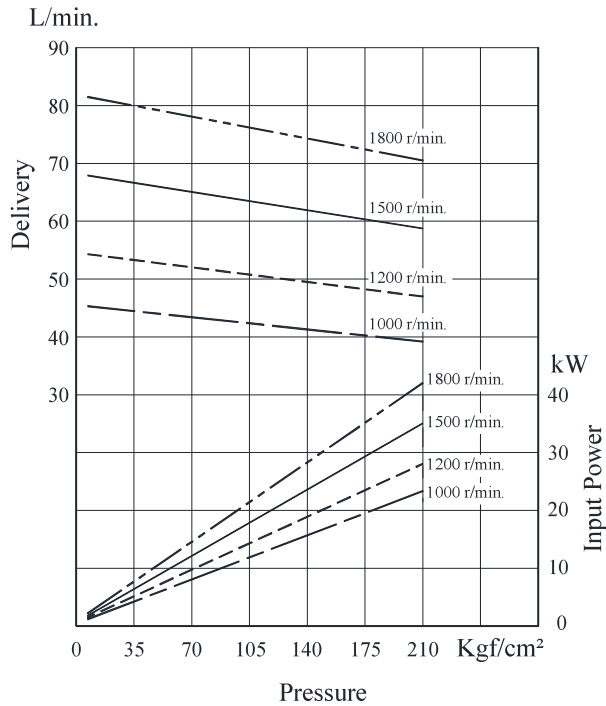
● PVR50 - 51



B
 PVR Series
 Single Vane Pumps

Typical Pump Characteristics Oil Viscosity 20 cSt [ISO VG 32, Temp 50°C]

● **PVR50 - 56**



■ **Flanges**

Note: Please refer page no. 725 for flange details.

■ **Spare Parts List**

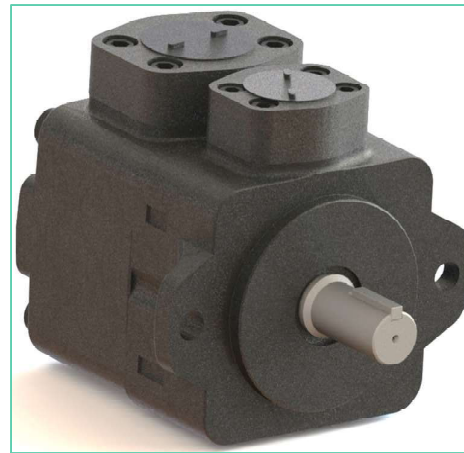
● **List of Seals**

Sl. No.	Name of Part	Part Number	Qty.
1	O-Ring	SO-NA-G80	1
2	O-Ring	SO-NA-P41	1
3	O-Ring	SO-NB-G85	1
4	Backup-Ring	SO-BB-G80	1
5	Backup-Ring	SO-BB-P41	1
6	Oil Seal	ISPD 25388	1

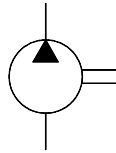
Note: When ordering the seals, please specify the seal kit number KS-PVR50-3180.

PVR 150-Series Single Vane Pumps

These pumps are widely used as a source of hydraulic power. They combine stable performance and robust construction with a wide range of delivery rates.



Graphic Symbol



Specifications

Model Number	Geometric Displacement cm ³ /rev.	Max. Opr. Pressure Kg/cm ²	Output Flow and Input Power	Shaft Speed Range r/min.		Mass (Approx.) Kg.	
				Max.	Min.	Flange Mounting	Foot Mounting
PVR150 – 60	47	210	Refer Page 115 & 116	1800*	600	29.3	35.9
PVR150 – 70	57						
PVR150 – 90	75						
PVR150 – 110	92						
PVR150 – 140	115						
PVR150 – 170	135						

* For speeds above 1500 r/min., consult factory for information.

Model Number Designation

F-	PVR150	-L	-F	-60	-R	A	A	-35	80
Special Seals **	Series Number	Type of Mounting	Type of pipe Connection	Nominal Delivery	Direction of Rotation	Discharge Port Position	Suction Port Position	Design * Number	Design Standard
As Viewed From Shaft End									
F: For Phosphate Ester Type Fluids (Omit if not required)	PVR150	L: Foot Type	F: Flange Connection	60	R: Clockwise (Normal)			35	80
		F: Flange Type		70					
				90					
				110					
				140					
		170							

* Design numbers subject to change from 30 to 39, but installation dimensions remain as shown.

* For instructions regarding changing the port positions, consult YUKEN INDIA LTD.

** Before ordering the Special Seals, consult YUKEN INDIA LTD.

Cartridge Kit Model Number

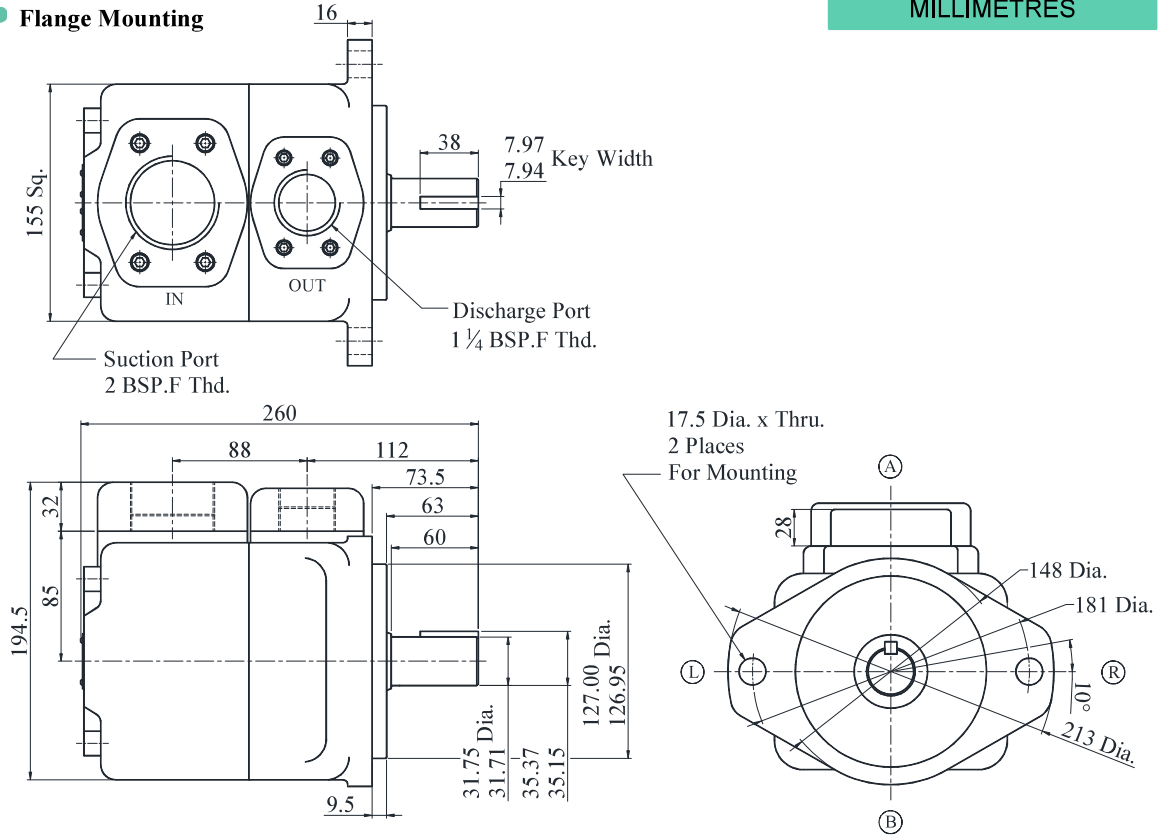
CPVR150	-60	-R	-33
Model Number	Nominal Delivery	Shaft Rotation	Design No.
CPVR150	60	R: Clockwise (Normal)	33
	70		
	90		
	110	L: Counter-Clockwise	
	140		
170			

* For instructions regarding replacing cartridge kit, consult YUKEN INDIA LTD.

PVR150-F-F-※-※※※-3580

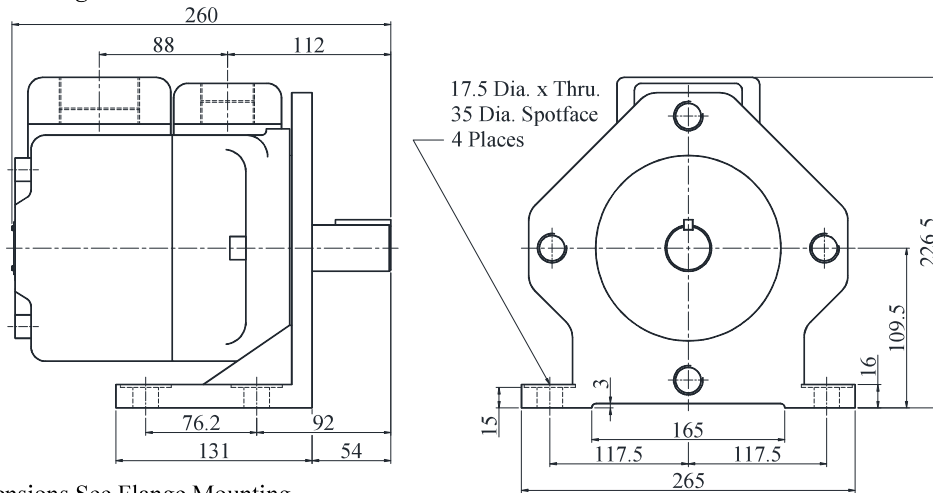
● Flange Mounting

DIMENSIONS IN MILLIMETRES



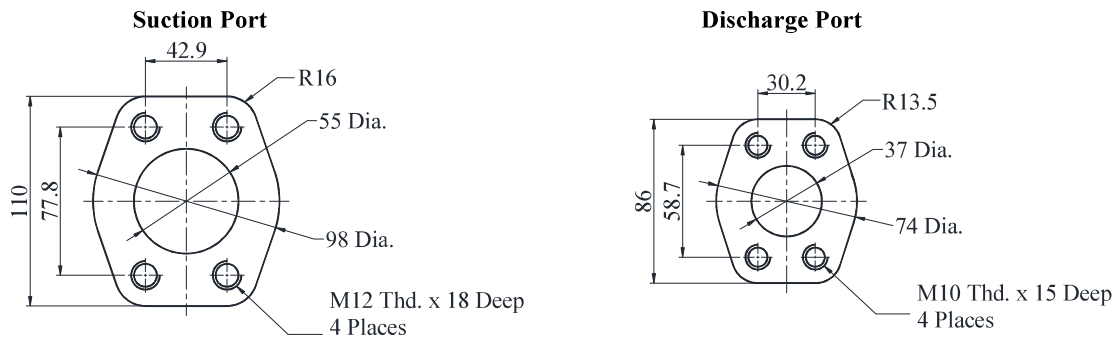
PVR150-L-F-※-※※※-3580

● Foot Mounting



For other Dimensions See Flange Mounting

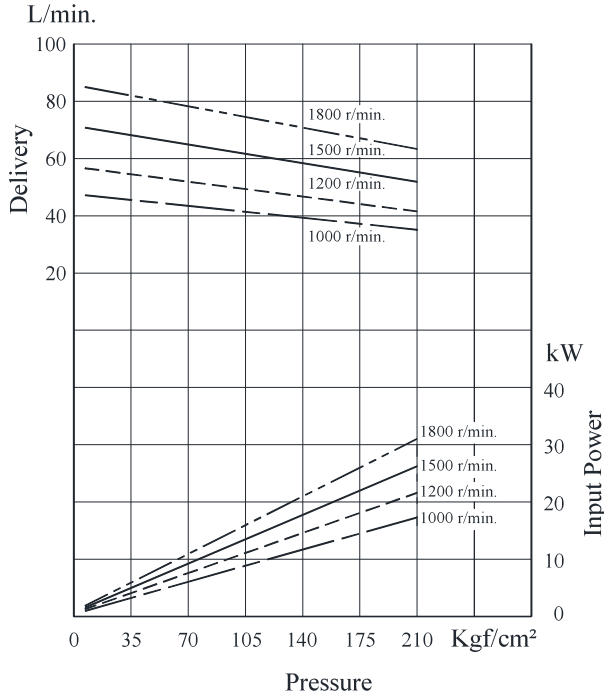
For Reference : Dimensions of Pipe Flange Mounting Surfaces



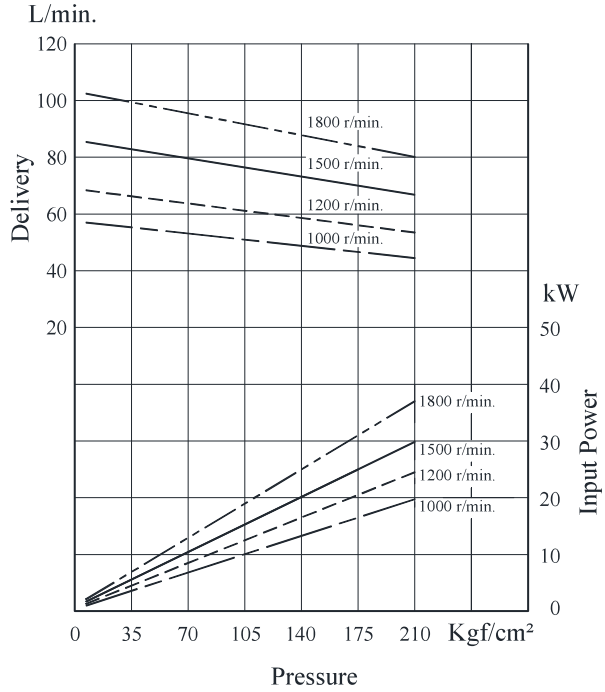
“PVR” Series Single Vane Pumps

Typical Pump Characteristics Oil Viscosity 20 cSt [ISO VG 32, Temp 50°C]

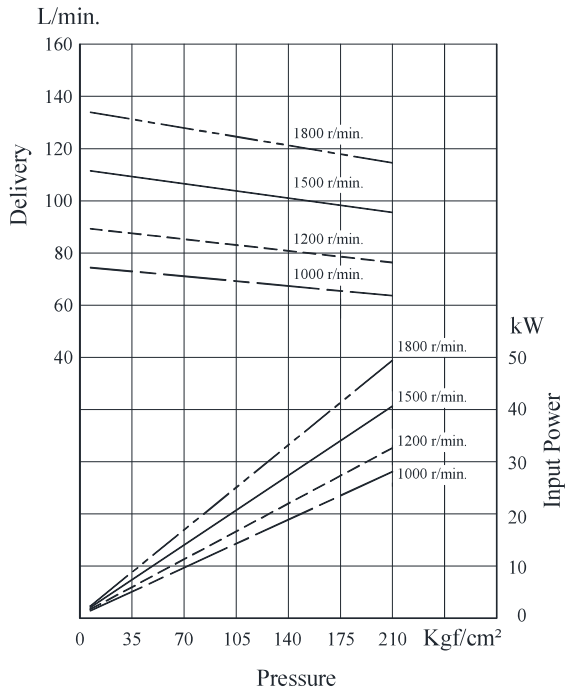
● **PVR 150 - 60**



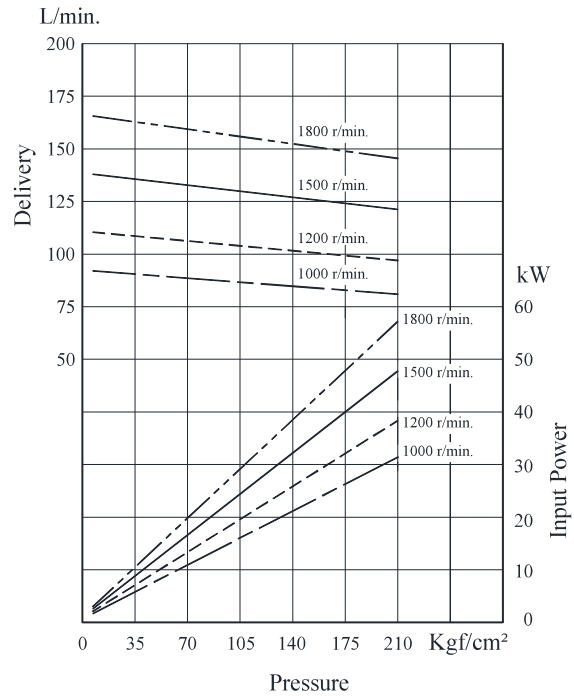
● **PVR 150 - 70**



● **PVR 150 - 90**



● **PVR 150 - 110**

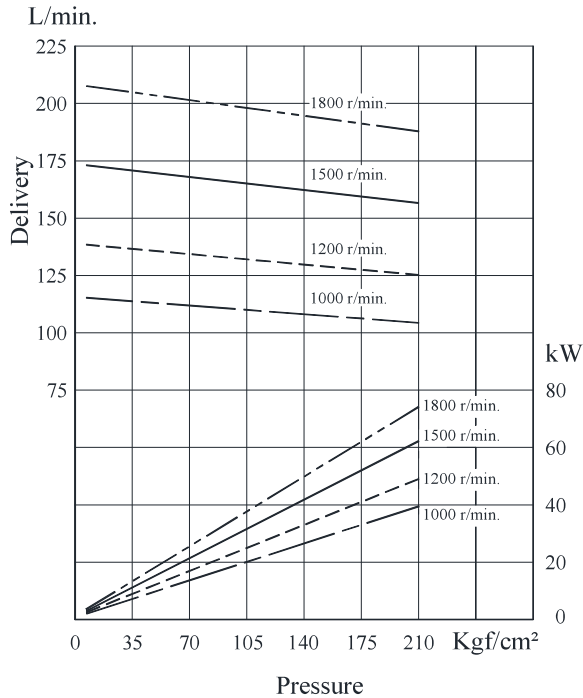


B

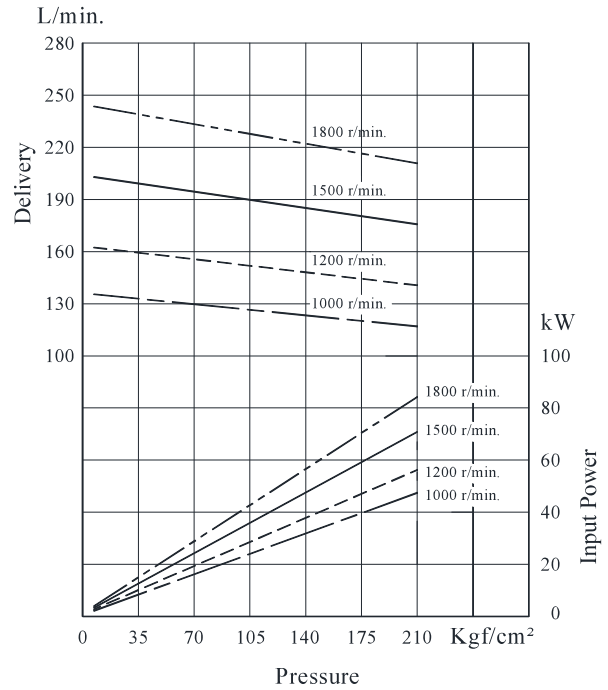
PVR Series
Single Vane Pumps

Typical Pump Characteristics Oil Viscosity 20 cSt [ISO VG 32, Temp 50°C]

● **PVR 150 - 140**



● **PVR 150 - 170**



■ **Spare Parts List**

● **List of Seals**

Sl. No.	Name of Part	Part number	Qty.
1	O-Ring	SO-NA-G120Y	1
2	O-Ring	ARP568231	1
3	O-Ring	SO-NB-G125	1
4	Backup-Ring	JISW1516-G9	1
5	Backup-Ring	SO-BB-G120	1
6	Oil Seal	TC38558-7	1

Note: When ordering the seals, please specify the seal kit number KS-PVR150-3480.

■ **Flanges**

Note: Please refer page no. 749 for flange details.

■ **Cartridge Kit Model Number**

Pump Model Numbers	Cartridge Kit Number #
PVR1T-6-※-R※-2180	CPVR1T-06-R-20
PVR1T-10-※-R※-2180	CPVR1T-10-R-20
PVR1T-15-※-R※-2180	CPVR1T-15-R-20
PVR50-※-※-20-R※※-3280	CPVR50-20-R-31
PVR50-※-※-36-R※※-3280	CPVR50-36-R-31
PVR50-※-※-45-R※※-3280	CPVR50-45-R-31
PVR150-※-F-70-R※※-3580	CPVR150-70-R-33
PVR150-※-F-110-R※※-3580	CPVR150-110-R-33

1. For instructions regarding replacing cartridge kit, consult YUKEN INDIA LTD.

The above table does not include all combinations of cartridges available.

Only a few representative samples are shown.