

## ■ YTTRF Series Tank Top Return Line Filter

These tank top return line filters are used to improve the reliability of a lube or hydraulic system to eliminate failure due to contamination.

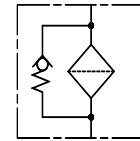
This can be mounted directly on the tank top and they provide the optimum removal of contaminate from the system.

## ■ Features

- Built in by-pass check valve setting at 1.05 kgf/cm<sup>2</sup>(15 psi).
- Powerful ceramic magnets fixed on the filter head, it will attracts iron particles, increase pump and system life.
- Suitable for petroleum and mineral based oils.
- High grade impregnated paper element.



Graphical symbol



## ■ Specifications

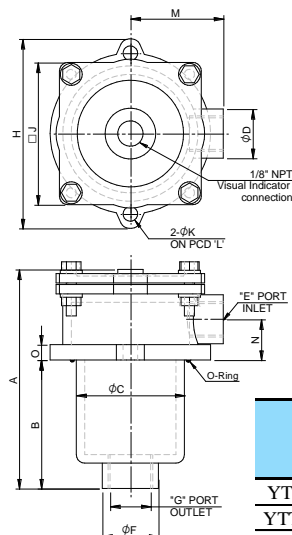
Model Numbers	Max.Working pressure kgf/cm <sup>2</sup>	Max.Flow Rate L/min	Max.Operating Temp. °C	Port Size	Mass kg(Approx)
YTTRF-04-50L-*-*-10	7	150	80	G1/2"	0.58
YTTRF-06-115L-*-*-10				G3/4"	1.05
YTTRF-08-160L-*-*-10				G1"	1.30
YTTRF-10-240L-*-*-10				G1 ¼"	2.40

## ■ Model Number Designation

YTTRF	-04	-50L	-25M	-VI	-10
Series Number	Inlet Port Size	Flow Rate L/min	Filtration Rating	Clogging Indicator	Design Number
YTTRF : Tank Top Return Line Filter	04 : G1/2" 06 : G3/4" 08 : G1" 10 : G1¼"	50L : 50 115L : 115 160L : 160 240L : 240	10M : 10µm 25M : 25µm	VI : Visual clogging indicator * None : Without clogging indicator	10

Note : \* Visual clogging indicator model : VI-R-1015-SB

## ■ YTTRF-06-\*-\*-10

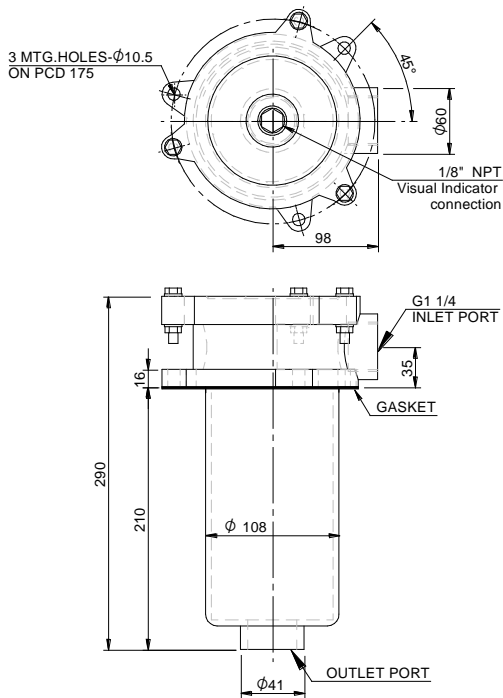


Dimensions in Millimeters

Model	A	B	ØC	ØD	E (Inlet Port)	ØF	G (Outlet Port)	H	J	ØK	L	M	N	O
YTTRF-04-50L-*-*-10	133	75	66	34	G1/2"	30	G1/2"	109	79	6.8	96	52	23	7.5
YTTRF-06-115L-*-*-10	155	90.0	85	35.5	G3/4"	33	G3/4"	134	104	8.5	114	68	27	6
YTTRF-08-160L-*-*-10	190	118	87	46	G1"	33	G3/4"	136	104	8.5	114	70	31	6

YTTRF Series Tank Top Return Line Filter

## YTTRF-10-240L-\*\*-\*-10

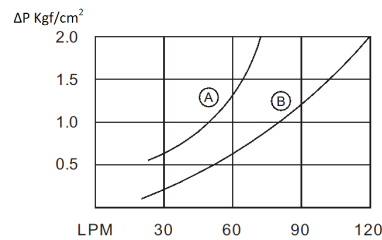


## Pressure Drop Curve

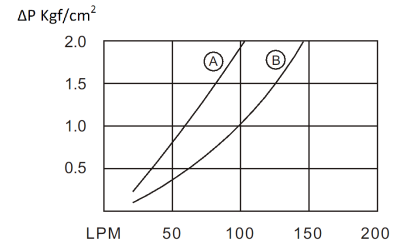
Dimensions in  
Millimeters

OIL VISCOCITY 32 cSt @ 30° C

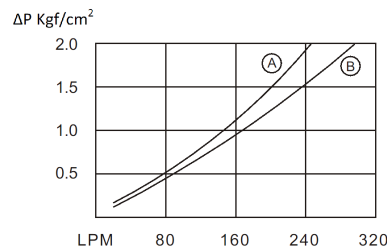
(A) - 10 MICRONS (B) - 25 MICRONS



YTTRF-06-115L-\*\*-\*-10



YTTRF-08-160L-\*\*-\*-10



YTTRF-10-240L-\*\*-\*-10

## Filter Element

## Model Number Designation

YTTRFE	-04	-25M	-10
Series Number	Size	Filtration Rating	Design Number
<b>YTTRFE:</b> Tank Top Return Line Filter Element	<b>04</b> <b>06</b> <b>08</b> <b>10</b>	<b>10M</b> : 10μm <b>25M</b> : 25μm	10

## Instructions

These Filter element should be replaced when the differential set pressure on the maintenance indicator is reached, if the filter does not have the clogging indicator, exchange the filter element at least every 5 months or of 850 hours of operation .

**Replacing the filter element** : switched off the system before unscrewing the filter head & make sure that there is no pressure in the filter.

## Ordering Information

Example : Tank top return line filter having a flow rate of up to 50 lpm , filtration rating of 25 μ with visual clog-  
ging indicator : **YTTRF-04-50L-25M-VI-10**, Material Number : **8800000766**

Sl.No	Model code	Material Number
1	YTTRF-04-50L-10M-VI-10	8800000764
2	YTTRF-04-50L-10M-10	8800000765
3	YTTRF-04-50L-25M-VI-10	8800000766
4	YTTRF-04-50L-25M-10	8800000767
5	YTTRF-06-115L-10M-VI-10	8800000768
6	YTTRF-06-115L-10M-10	8800000769
7	YTTRF-06-115L-25M-VI-10	8800000770
8	YTTRF-06-115L-25M-10	8800000771

Sl.No	Model code	Material Number
9	YTTRF-08-160L-10M-VI-10	8800000772
10	YTTRF-08-160L-10M-10	8800000773
11	YTTRF-08-160L-25M-VI-10	8800000774
12	YTTRF-08-160L-25M-10	8800000775
13	YTTRF-10-240L-10M-VI-10	8800000776
14	YTTRF-10-240L-10M-10	8800000777
15	YTTRF-10-240L-25M-VI-10	8800000778
16	YTTRF-10-240L-25M-10	8800000779

For further information contact us

**YUKEN INDIA LTD.**

P. B. No. 5, Koppalthimmanahalli Village,  
H. Hosakote Gram Panchayat, Lakkur Hobli,  
Malur Taluk, Kolar District- 563130, Karnataka  
Email: marketing@yukenindia.com

YTTRF Series Tank Top Return Line Filter